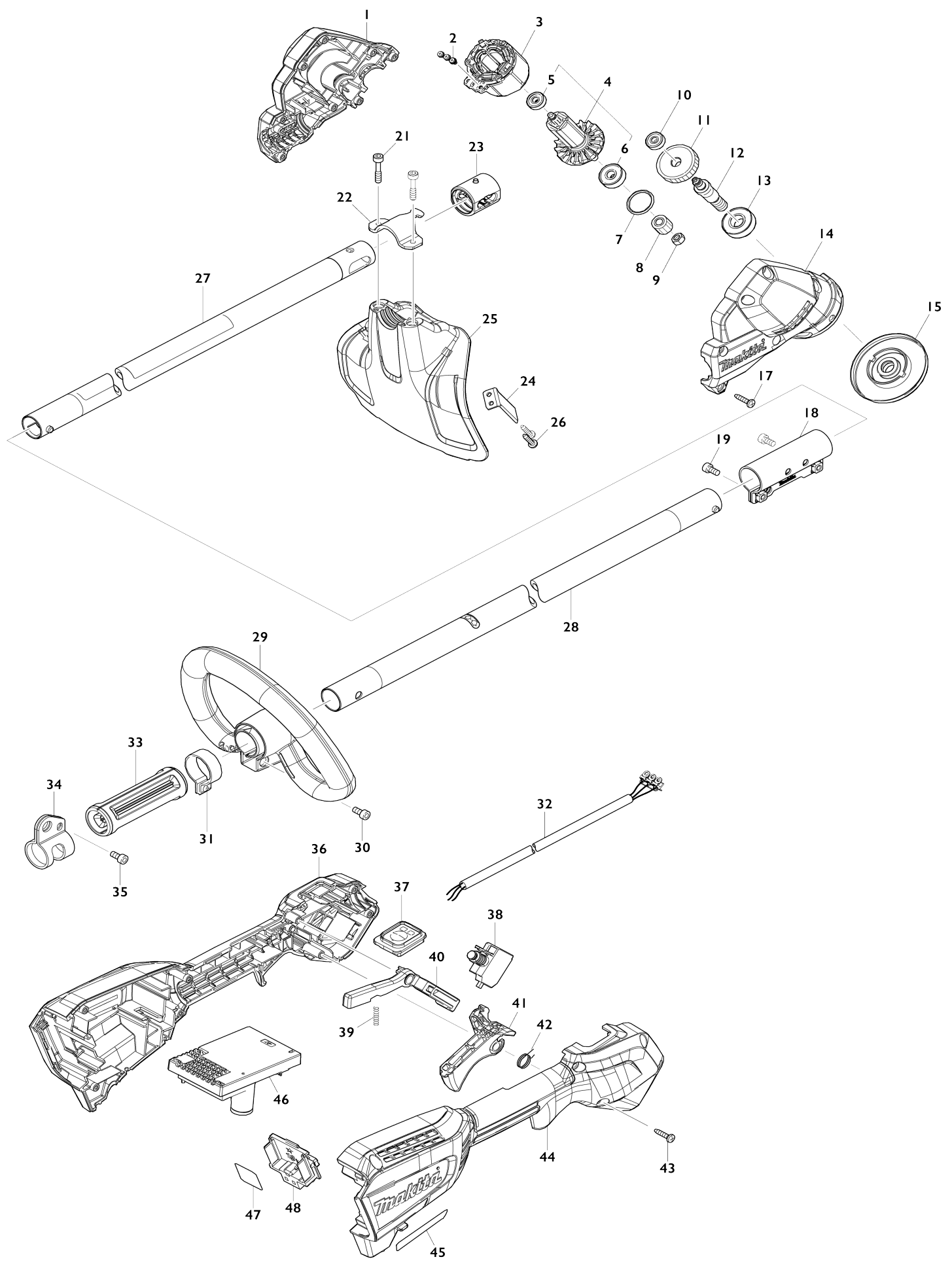


Model No.DUR192L CORDLESS GRASS TRIMMER



Model No.DUR192L CORDLESS GRASS TRIMMER

| Item No. | Parts No. | Description | Interchangability | Q'ty | New/Old | Note1 | Note2 |
|----------|-----------|-----------------------------|-------------------|------|---------|-------|-------|
| 001 | 183R54-1 | MOTOR HOUSING SET | | 1 | | | |
| 001 | | INC. 14 | | | | | |
| 002 | 652069-6 | FLAT HEAD SCREW M3X6 | | 3 | | | |
| 003 | 629A22-3 | STATOR | | 1 | | | |
| 004 | 519643-2 | ROTOR ASS'Y | | 1 | | | |
| 004 | | INC. 5,6 | | | | | |
| 005 | 210235-7 | BALL BEARING 625ZZ | | 1 | | | |
| 006 | 210236-5 | BALL BEARING 627ZZ | | 1 | | | |
| 007 | 213843-3 | O-RING 21 | | 1 | * | | |
| 007-1 | 213925-1 | O-RING 21 | O | 1 | | | |
| 007-1 | 213843-3 | O-RING 21 | | 1 | | | |
| 008 | 227831-4 | HELICAL GEAR 11 | | 1 | * | | |
| 008-1 | 227883-5 | HELICAL GEAR 11 | < | 1 | * | | |
| 008-1 | 227883-5 | HELICAL GEAR 11 | | 1 | * | | |
| 008-2 | 227831-4 | HELICAL GEAR 11 | O | 1 | | | |
| 009 | 931302-2 | HEX. NUT M6 | | 1 | | | |
| 010 | 210235-7 | BALL BEARING 625ZZ | | 1 | | | |
| 011 | 227830-6 | HELICAL GEAR 32 | | 1 | | | |
| 012 | 327678-7 | CUTTER SHAFT | | 1 | | | |
| 013 | 210216-1 | BALL BEARING 6001DDW | | 1 | | | |
| 014 | 183R54-1 | MOTOR HOUSING SET | | 1 | | | |
| 014 | | INC. 1 | | | | | |
| 015 | 140W47-1 | RECEIVE WASHER COMPLETE | | 1 | | | |
| C10 | 213134-2 | O-RING 11 | | 1 | * | | |
| C11 | 213A62-7 | O-RING 11 | O | 1 | | | |
| 017 | 266326-2 | TAPPING SCREW 4X18 | | 8 | * | | |
| 017 | 265B67-9 | TAPPING SCREW 4X18 | | 8 | | | |
| 017-1 | 265B67-9 | TAPPING SCREW 4X18 | O | 8 | | | |
| 018 | 347747-8 | JOINT 24 | | 1 | | | |
| 019 | 922207-7 | HEX. SOCKET HEAD BOLT M5X10 | | 2 | | | |
| 021 | 251513-6 | H.S.H.BOLT M5X25 | | 2 | | | |
| 022 | 347667-6 | PROTECTOR CLAMP | | 1 | | | |
| 023 | 424567-8 | RUBBER SLEEVE 24 | | 1 | | | |
| 024 | 346855-2 | CUTTER | | 1 | | | |
| 025 | 412580-8 | PROTECTOR N 330 | | 1 | | | |
| 026 | 266326-2 | TAPPING SCREW 4X18 | | 2 | * | | |
| 026 | 265B67-9 | TAPPING SCREW 4X18 | | 2 | | | |
| 026-1 | 265B67-9 | TAPPING SCREW 4X18 | O | 2 | | | |
| 027 | 140W46-3 | PIPE COMPLETE C | | 1 | | | |
| C10 | 8023L9-8 | CAUTION LABEL | | 1 | | | |
| C20 | 819312-8 | MAKITA LOGO LABEL | | 1 | | | |
| 028 | 140W45-5 | PIPE COMPLETE B | | 1 | | | |
| C10 | 808723-2 | CAUTION LABEL | | 1 | | | |
| 029 | 457937-6 | LOOP HANDLE 24 | | 1 | * | | |
| 029-1 | 413L67-5 | LOOP HANDLE 24 | O | 1 | | | |
| 029-1 | 413L67-5 | LOOP HANDLE 24 | | 1 | | | |
| 030 | 922212-4 | HEX. SOCKET HEAD BOLT M5X12 | | 1 | | | |

| | | | | | | |
|-------|-----------|-----------------------------------|---|---|---|--|
| 031 | 347011-7 | PIPE CLAMP 29 | | 1 | | |
| 032 | 699157-8 | POWER SUPPLY CORD UNIT | | 1 | | |
| 033 | 451601-1 | SPACER 24 | | 1 | | |
| 034 | 347116-3 | HANGER | | 1 | | |
| 035 | 922212-4 | HEX. SOCKET HEAD BOLT M5X12 | | 1 | | |
| 036 | 183R55-9 | GRIP HOUSING SET | | 1 | | |
| C10 | 263005-3 | RUBBER PIN 6 | | 3 | | |
| 036 | | INC. 44 | | | | |
| 037 | 140W41-3 | SWITCH CIRCUIT COMPLETE | | 1 | | |
| C10 | 8007N9-0 | SWITCH LABEL | | 1 | | |
| 038 | 651494-8 | SWITCH C3JW-1A-PA-2 | | 1 | | |
| 039 | 233101-1 | COMPRESSION SPRING 4 | | 1 | | |
| 040 | 412863-6 | LOCK OFF LEVER | | 1 | | |
| 041 | 459758-2 | SWITCH LEVER | | 1 | | |
| 042 | 233622-3 | TORSION SPRING 12 | | 1 | | |
| 043 | 266326-2 | TAPPING SCREW 4X18 | | 8 | * | |
| 043 | 265B67-9 | TAPPING SCREW 4X18 | | 8 | | |
| 043-1 | 265B67-9 | TAPPING SCREW 4X18 | O | 8 | | |
| 044 | 183R55-9 | GRIP HOUSING SET | | 1 | | |
| C10 | 263005-3 | RUBBER PIN 6 | | 3 | | |
| 044 | | INC. 36 | | | | |
| 045 | 857T44-9 | DUR192L NAME PLATE | | 1 | | |
| 046 | 620D79-5 | CONTROLLER | | 1 | | |
| 047 | 857T51-2 | DUR192L SERIAL NO. LABEL | | 1 | | |
| 048 | 644809-6 | TERMINAL | | 1 | | |
| A01 | 198893-8 | CUTTER ASSEMBLY 95-M10L SET ME | | 1 | * | |
| A01 | 191D89-4 | TRIMMER HEAD 96-M10L SET | | 1 | * | |
| A01 | | COMPO-PARTS | | | * | |
| A01-1 | 1915D8-4 | TRIMMER HEAD 96-M10L SET | O | 1 | | |
| A02 | 127508-0 | BAND ASS'Y | | 1 | | |
| A03 | 783202-0 | HEX. WRENCH 4 | | 1 | | |
| A05 | ***DC18RC | DC18RC FAST CHARGER | | 1 | | |
| A05 | | COMPO-PARTS | | | | |
| A06 | 197280-8 | BATTERY BL1850B SET | | 1 | | |
| A07 | 450128-8 | BATTERY COVER | | 1 | | |
| E01 | 800A41-0 | SOUND 89DB LABEL | | 1 | * | |
| E01-1 | 802H58-1 | SOUND 90DB LABEL | < | 1 | | |
| E01-1 | 802H58-1 | SOUND 90DB LABEL | | 1 | | |
| F03 | 197472-9 | NYLON CORD 2.0-15M SET | | 1 | | |
| F04 | 197473-7 | NYLON CORD 2.0-30M SET | | 1 | | |
| F05 | 197474-5 | NYLON CORD 2.0-160M SET | | 1 | | |
| F06 | 197475-3 | NYLON CORD 2.0-280M SET | | 1 | | |
| F47 | 1915D8-4 | TRIMMER HEAD 96-M10L SET | | 1 | | |
| F48 | 1914R8-6 | TRIMMER HEAD ASSEMBLY 98-M 10L | | 1 | | |

Please state Parts No. when your order.

Print Date 02/27/2025