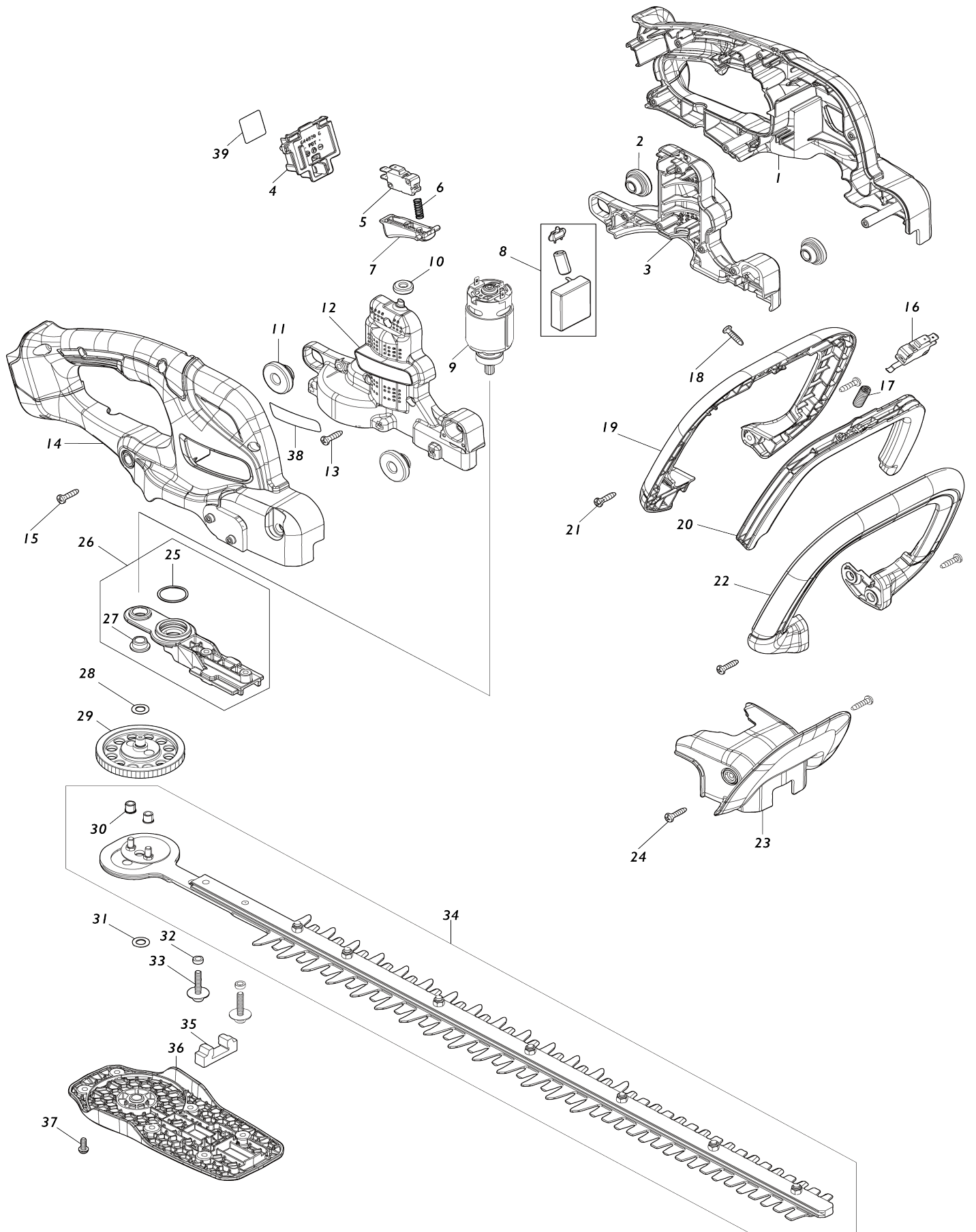


Model No. DUH607 600MM CORDLESS HEDGE TRIMMER



Model No.DUH607 600MM CORDLESS HEDGE TRIMMER

Item No.	Parts No.	Description	Interchangability	Q'ty	New/Old	Note1	Note2
001	183Y38-1	HANDLE SET		1			
C10	263005-3	RUBBER PIN 6		2			
C20	8062W1-7	CAUTION LABEL		1			
D10		INC. 14					
002	424394-3	RUBBER RING 8		2			
003	183X36-9	MOTOR HOUSING SET		1			
C10	931102-0	HEX. NUT M4		6			
D10		INC. 12					
004	644809-6	TERMINAL		1			
005	650036-5	SWITCH DMU-1212D-020		1			
006	231372-4	COMPRESSION SPRING 5		1			
007	413M81-7	SWITCH LEVER R		1			
008	620L02-8	CONTROLLER		1			
009	629B95-2	DC MOTOR		1			
010	424195-9	RUBBER RING 6		1			
011	424394-3	RUBBER RING 8		2			
012	183X36-9	MOTOR HOUSING SET		1			
C10	931102-0	HEX. NUT M4		6			
D10		INC. 3					
013	266326-2	TAPPING SCREW 4X18		5			
014	183Y38-1	HANDLE SET		1			
C10	263005-3	RUBBER PIN 6		2			
C20	8062W1-7	CAUTION LABEL		1			
D10		INC. 1					
015	266326-2	TAPPING SCREW 4X18		6			
016	650037-3	SWITCH DMU-1212D-021		1			
017	231325-3	COMPRESSION SPRING 6		1			
018	266326-2	TAPPING SCREW 4X18		4			
019	413M89-1	FRONT GRIP COVER E		1			
020	413M90-6	SWITCH LEVER FE		1			
021	266326-2	TAPPING SCREW 4X18		4			
022	413M88-3	FRONT GRIP E		1			
023	413M82-5	PROTECTOR		1			
024	266326-2	TAPPING SCREW 4X18		2			
025	213961-7	O RING 22		1			
026	136928-7	BEARING HOUSING ASS'Y		1			
D10		INC. 25,27					
027	214064-0	PLANE BEARING 8		1			
028	253215-0	FLAT WASHER 8		1			
029	136843-5	GEAR ASSEMBLY		1			
030	262570-9	NYLON SLEEVE 5		2			
031	253215-0	FLAT WASHER 8		1			
032	257802-7	RING 5		2			
033	265A89-3	H.S.H.BOLT M5X25 WITH WR		2			
034	1911J2-4	SHEAR BLADE 600E SET		1			
C10	188605-7	OIL VESSEL SET		1			
D10		INC. 30					

035	422904-0	DUST GUARD		1		
036	413M87-5	UNDER COVER		1		
037	911118-1	PAN HEAD SCREW M4X12		6		
038	8582P3-0	DUH607 NAME PLATE		1		
039	8582R0-0	DUH607 SERIAL NO.LABEL		1		
A01	413L92-6	BLADE COVER 600		1		
A02	450128-8	BATTERY COVER		1		
A03	***DC18WC	DC18WC BATTERY CHARGER		1		
D10		COMPO-PARTS				
A04	197600-6	BATTERY BL1830B SET		1		
F01	1910T2-8	CHIP RECEIVER 600 SET		1		
F02	1911J2-4	SHEAR BLADE 600E SET		1		
A03	***DC18RC	DC18RC FAST CHARGER		1		
A04	197280-8	BATTERY BL1850B SET		1		

Please state Parts No. when your order.

Print Date 05/24/2024