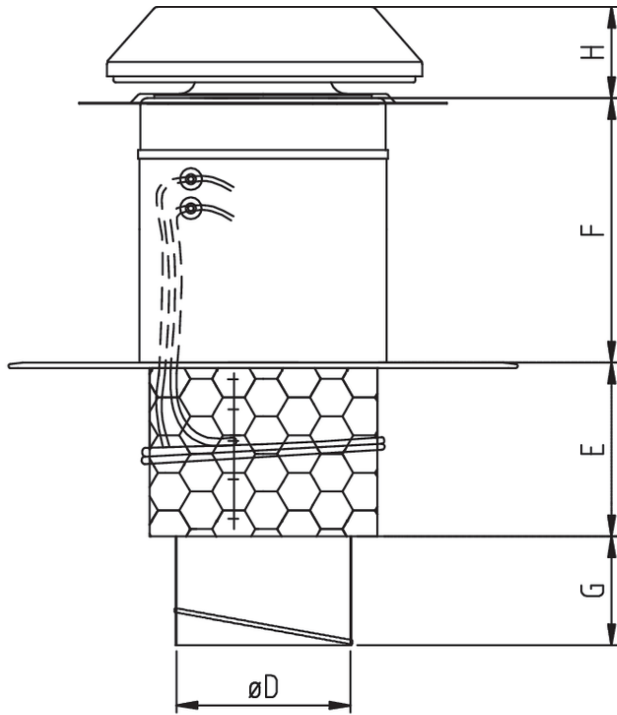


VTK100



	A	B	E	F	G	$\varnothing D$	H
THS 160	455	480	95	305	217	160	91
THS 200	585	735	200	305	125	200	95

